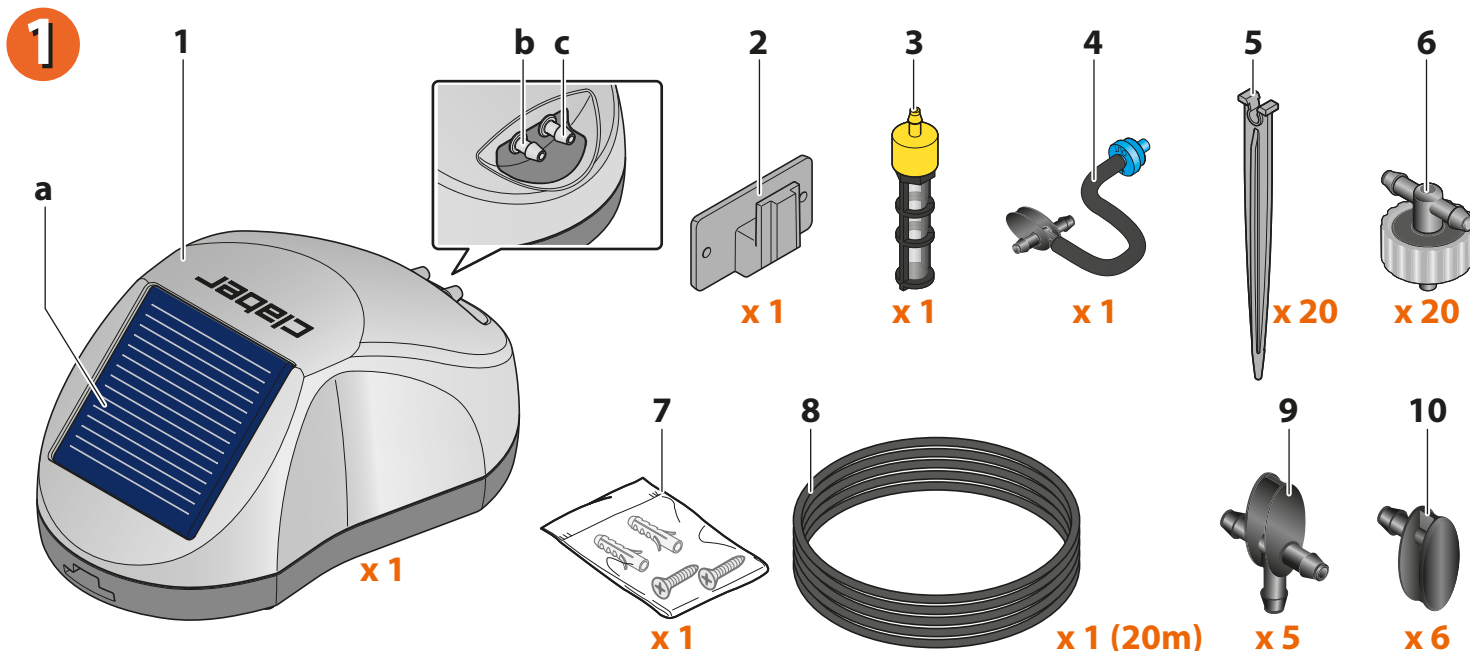


Aqua-Magic System can be used to water pots and small vegetable patches through the drippers provided, selecting the water quantity and irrigation frequency by choosing from the preset values. By using solar energy through its photovoltaic panel, the **Aqua-Magic System** powers rechargeable batteries (not supplied).

PACKAGE CONTENTS.

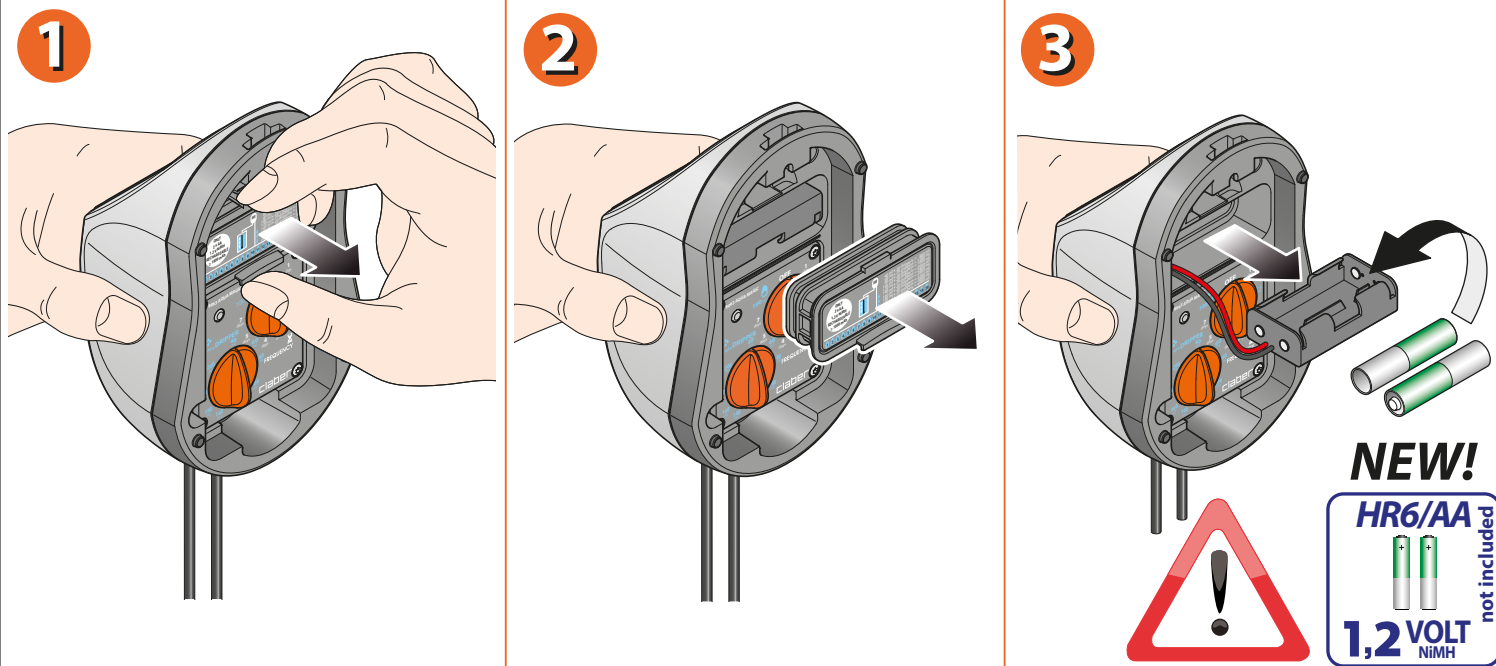
- 1) Timer (a) Photovoltaic panel b) Water outlet c) Water inlet) 2) Wall bracket 3) Filter 4) Anti-siphon valve 5) Stakes 6) Drippers 7) Screws and plugs 8) Feeding tube 9) Tee coupling 10) End-of-line plug



Aqua-Magic System (code): 8063

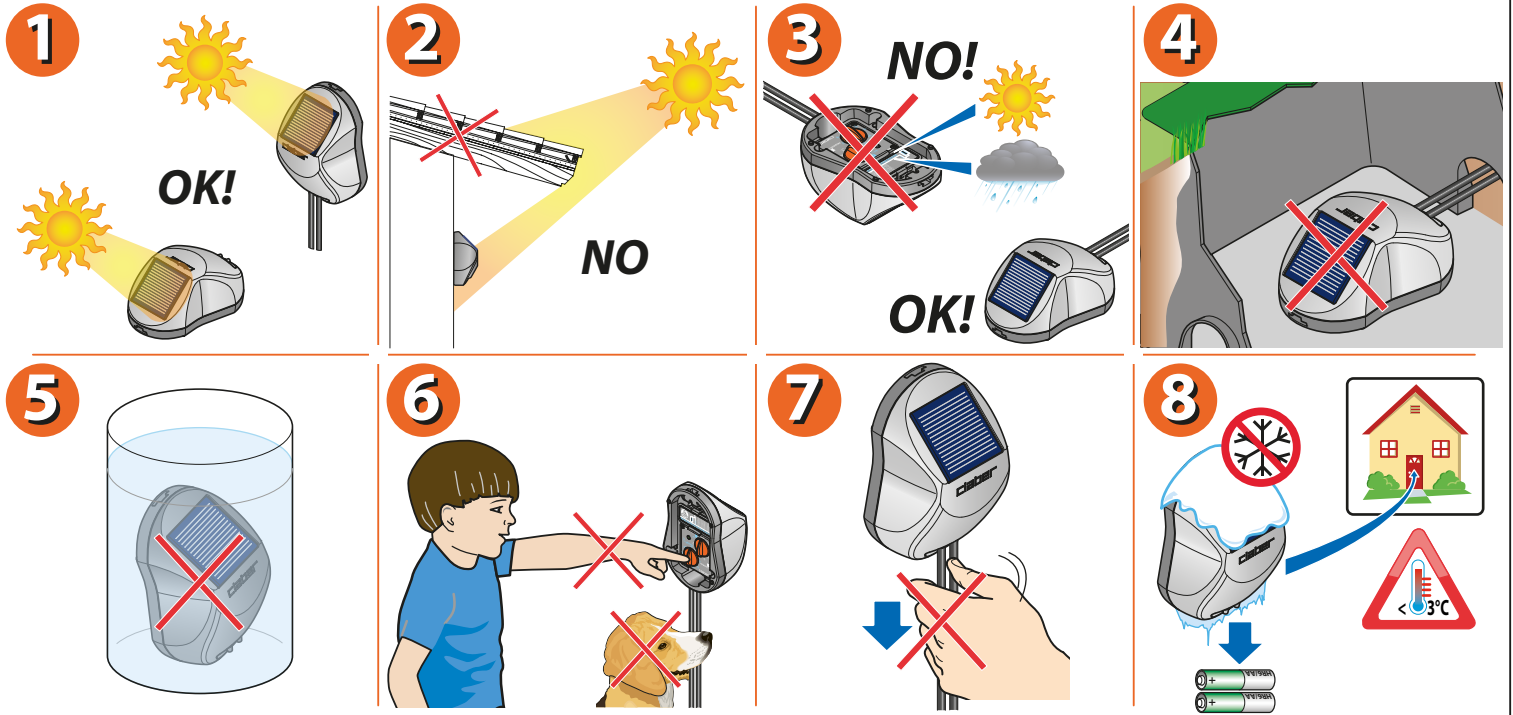
INSERTING THE BATTERIES. Use only **1.2 V NiMH AA/HR6 rechargeable batteries** (1800 mAh or more). After inserting the batteries, or at the start of every new season, check that the timer charges the batteries sufficiently by turning the dial to OFF and exposing the timer to direct sunlight for at least 8 hours.

Then programme it as required, making sure that the timer is always positioned correctly in direct sunlight. Remove the batteries at the end of the season.



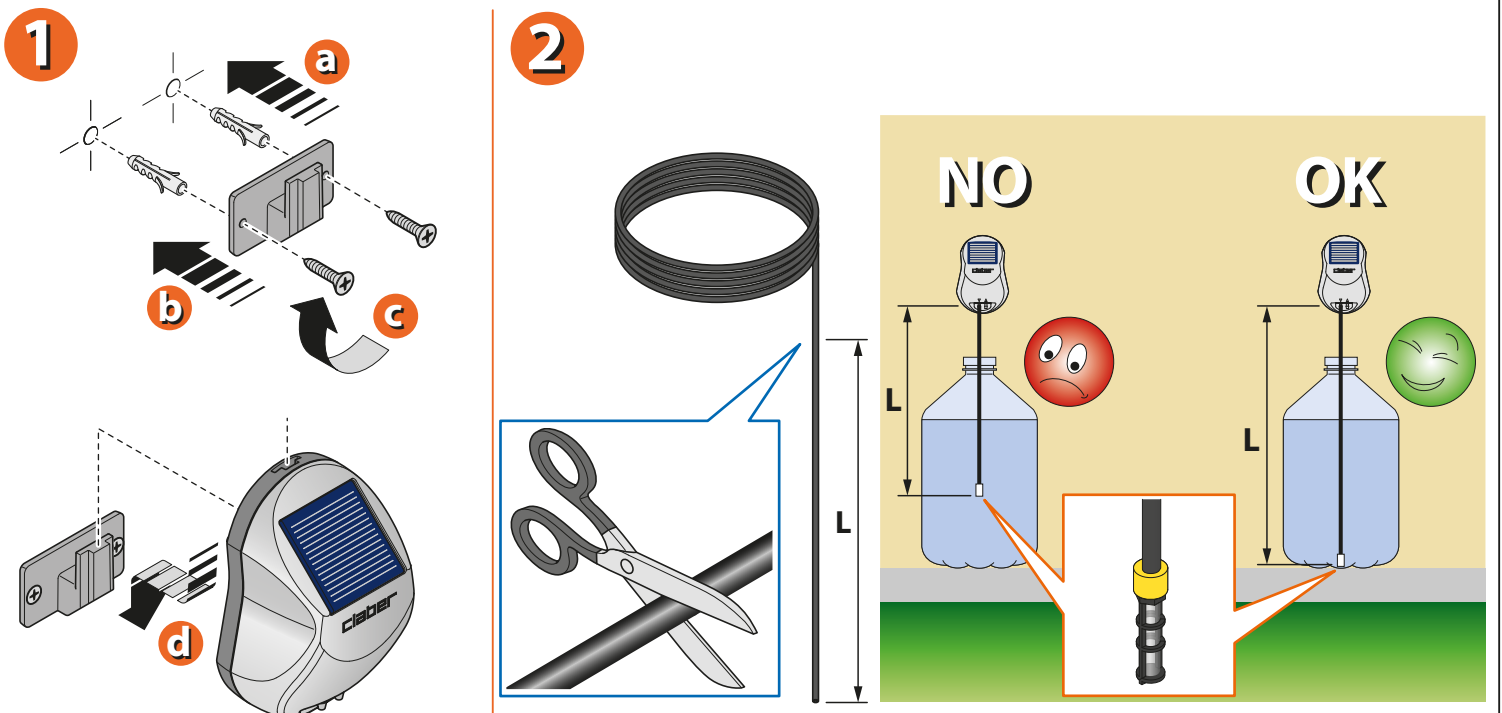
Aqua-Magic System (code): 8063

WARNINGS. The timer works both horizontally and vertically (wall-mounted) (1). It must be installed in a place where the sunlight can reach it (2). It must be positioned with the photovoltaic panel facing upwards (3). It should not be positioned in a valve box (4), immersed in liquid (5), used by children or be easily reachable by pets or other animals (6). The hoses should not be pulled (7). In winter, the timer should be stored in a warm, dry place (8).



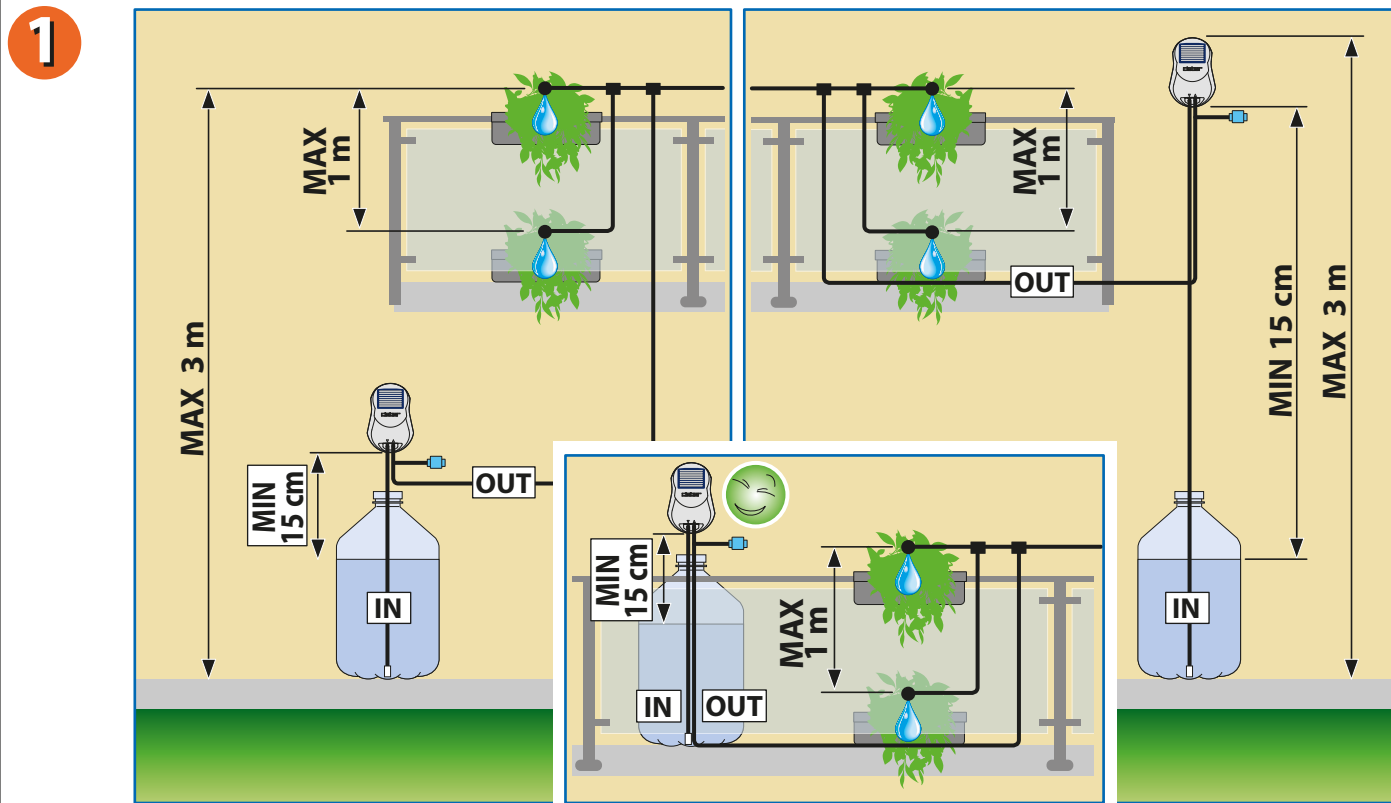
Aqua-Magic System (code): 8063

HOW TO INSTALL. If the water tank is outside, position it in a shaded place. Fix the bracket to the wall using the screws and plugs provided and hang the timer (1). To make the water suction hose, cut a length of feeding tube. Insert the filter in one end of the hose and connect the other end to the timer. To make the system work properly, the hose end with the filter must touch the bottom of the water container ("OK"). To do this, measure the "L" distance between the timer and the bottom of the container, then cut the hose (2).



Aqua-Magic System (code): 8063

HOW TO INSTALL. When setting up your system, we recommend respecting the distances shown between the timer, water tank and hoses, so that the timer can function at its best.



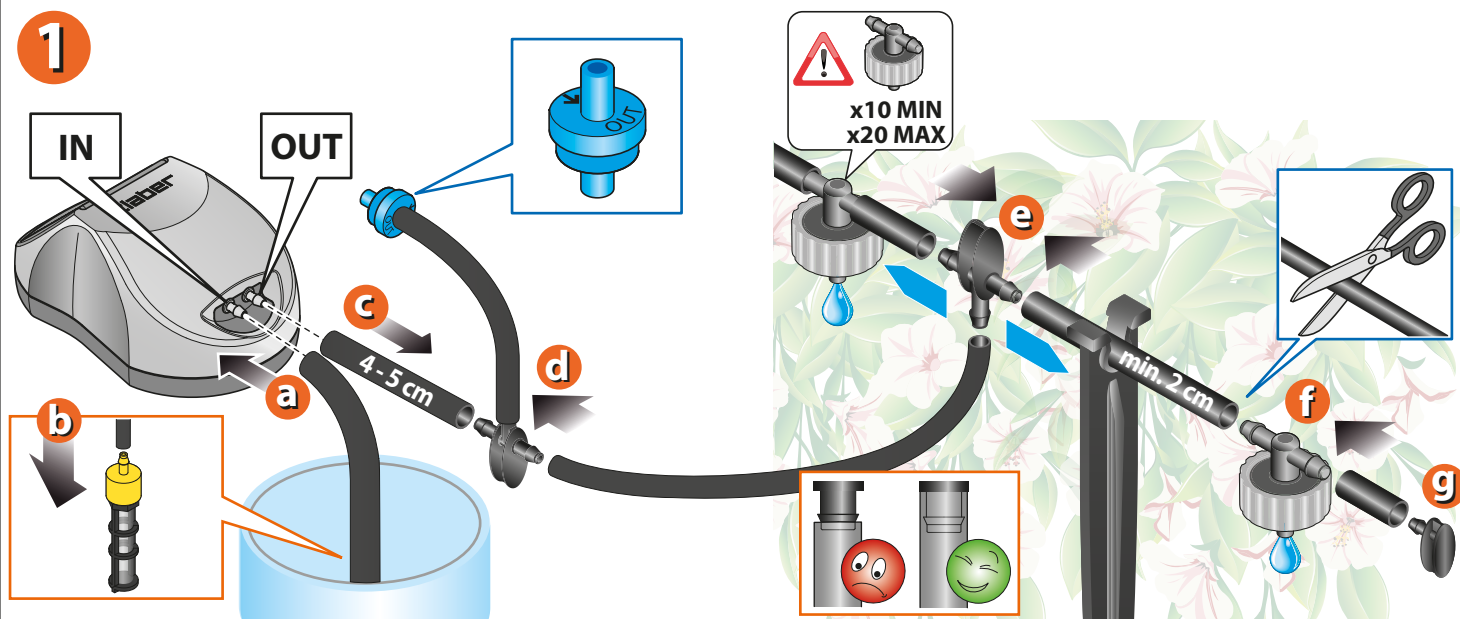
Aqua-Magic System (code): 8063

HOW TO INSTALL. After positioning the timer, the hoses, anti-siphon valve, stakes, fittings, drippers and end-of-line plugs can be connected up. You can set up your system according in your needs, keeping in mind the material supplied and the measurements shown above

For those who do not have a capacious water tank, we recommend the **Aqua Magic Tank** (code 8061), which can be purchased separately.

Important: use between **10** and **20** drippers.

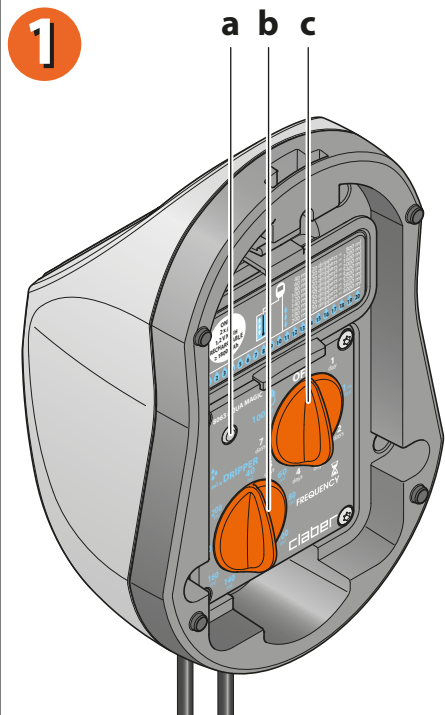
See below for an example of how to connect up the system.



Aqua-Magic System (code): 8063

TIMER CONTROLS.

- 1) a) Operating status LED b) Water quantity dial c) Irrigation frequency dial
- 2) LED status during operation



2				
flashing quickly: the timer is being programmed				
flashing slowly: the timer is waiting to water or is watering				
batteries partially charged and insufficient sunlight to charge them				
batteries completely flat: if you use completely flat batteries the first time, once inserted you will have to wait for the timer to recharge them before watering (approximately one day in OFF mode).				
1) battery completely flat 2) programming not complete 3) "FREQUENCY" selector dial set to "OFF" 4) "FREQUENCY" selector dial set to manual when manual watering has finished.				

Aqua-Magic System (code): 8063

PROGRAMMING. The first watering cycle starts after the timer has been programmed for the first time. The following watering cycles start according to the frequency set.

1) HOW MUCH TO WATER (quantity per day per dripper in ml). At the time you want the watering to start, set the water QUANTITY to be dispensed per day for each dripper by turning the "DRIPPER" selector dial to the required value: the LED remains off, indicating that programming is not complete (the timer will not water automatically until FREQUENCY- STEP B is set). The quantities are preset and CANNOT be modified.

2) HOW OFTEN TO WATER (watering frequency). Then set the watering FREQUENCY by turning the "FREQUENCY" selector dial: programming is complete, the LED flashes quickly for a few seconds, then SLOWLY (1 flash every 2 seconds). Once set, watering will begin immediately. Watering will finish when the quantity of water set with the "DRIPPER" selector dial has been dispensed. The frequencies are preset and CANNOT be modified.

1

40-60-80 ml
100-120-140 ml X
160-180-200 ml

Water dispensed per day per dripper, with 20 installed

2

OFF: no watering

1 day: every day

1(+6h) day: every day (+ 6h)

2 days: every 2 days

3 days: every 3 days

4 days: every 4 days

5 days: every 5 days

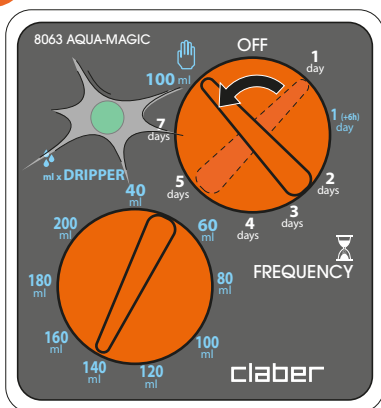
7 days: every 7 days

Aqua-Magic System (code): 8063

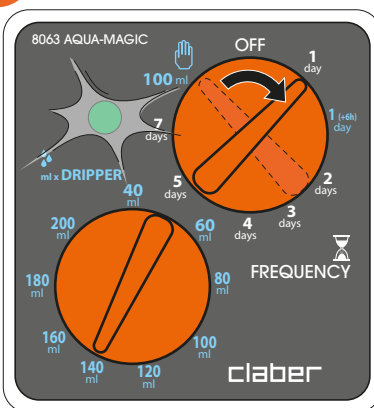
MANUAL WATERING.

- 1) turn the FREQUENCY dial to manual. The LED flashes during manual watering (100 ml dispensed).
- 2) early stop: turn the "FREQUENCY" selector dial to the start position (e.g. 1 day).
- 3) early stop: Turn the "FREQUENCY" selector dial to a new frequency (e.g. 2 days).
- 4) If the "FREQUENCY" selector dial is set to manual and watering has finished, the LED remains off and the timer will not water automatically until programmed again.

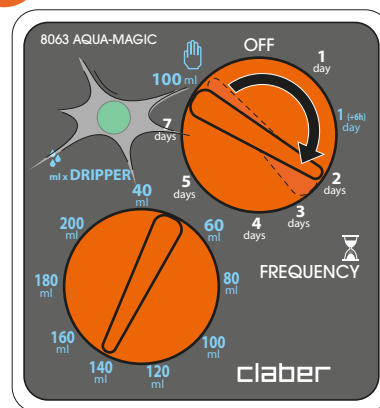
1



2



3



Turn the "FREQUENCY" selector dial **to the start position** (e.g. 1 day): **previous programming is stored**, therefore the watering cycles will start at the normal times. When turning the dial to the previous frequency, do not stop for more than 3 seconds on any other frequency as this will be considered a new setting.

Turn the "FREQUENCY" selector dial **to a new frequency** (e.g. 2 days): **the previous setting is NOT stored**. Watering will begin immediately and the next watering cycles will begin after the number of days set using the "FREQUENCY" selector dial.

Aqua-Magic System (code): 8063

SETTING CHANGES.

CHANGING START TIME AND/OR FREQUENCY OF WATERING CYCLES. Wait for the new time at which you want watering to begin (for example 22:00). Set the "FREQUENCY" selector dial to "OFF" and wait for the LED to switch off. Set the "FREQUENCY" selector dial to the frequency required. After resetting, watering will begin immediately for the set water quantity; the next watering cycles will begin after the number of days set using the "FREQUENCY" selector dial.

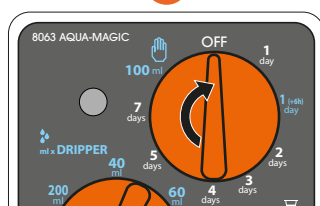
CHANGING THE QUANTITY OF WATER DISPENSED. Increase or decrease the quantity set by turning the "DRIPPER" selector dial; the change will take effect from the next watering cycle. If the operation is carried out while watering is under way, watering will cease when the set quantity is reached (if the quantity has been reduced) or it will continue (if the quantity has been increased) with immediate effect.

1

a



b



c



2



Aqua-Magic System (code): 8063